



Electrolux
PROFESSIONAL

**Modular Cooking Range Line
thermaline 90 - 1000 mm Passthrough
open base, 2 Sides (H2) - H=450**

ITEM # _____

MODEL # _____

NAME # _____

SIS # _____

AIA # _____



589190 (MC2ACCJ000)

Passthrough open base,
two-side operated - H2

Short Form Specification

Item No. _____

1000 mm wide open passthrough base compartment to store pots, pans, sheet pans, etc. with hygienic design and round edges. Unit constructed according to DIN 18860_2 with 70 mm recessed plinth. Internal frame for heavy duty sturdiness in 2 mm and 3 mm in 1.4301 (AISI 304). 2 mm top in 1.4301 (AISI 304). Flat surface construction, easily cleanable. THERMODUL connection system enables seamless worktop when units are connected and avoids soil penetrating.

IPX5 water resistant certification.

Configuration: Two-side operated freestanding base, hygienic class H2.

Main Features

- Open base compartment for storage of pots, pans, sheet pans, etc.
- All major components may be easily accessed from the front.
- Unit to be placed below modular top appliances to store pots, pans, sheet pans, etc.

Construction

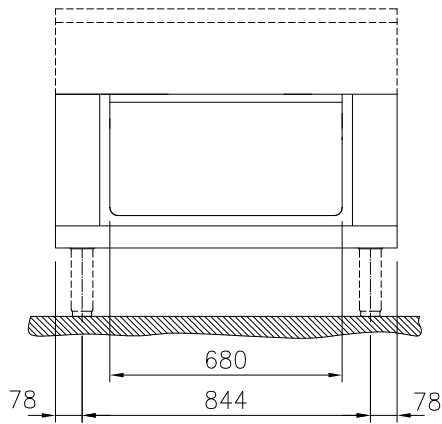
- Hygienic design of the open base compartment with large round edges.
- IPX5 water resistance certification.
- 2 mm top in 1.4301 (AISI 304).
- Flat surface construction with minimal hidden areas to easily clean all surfaces
- Internal frame for heavy duty sturdiness in stainless steel.

APPROVAL: _____

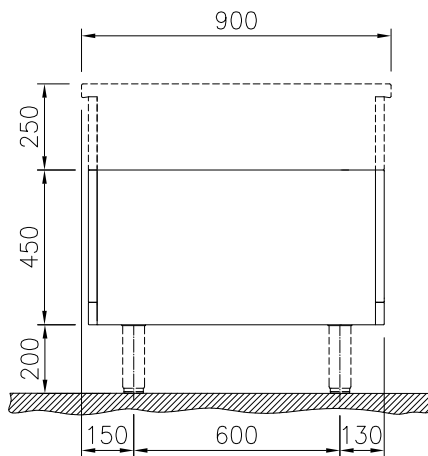


Experience the Excellence
www.electroluxprofessional.com
ELUX_EMAIL

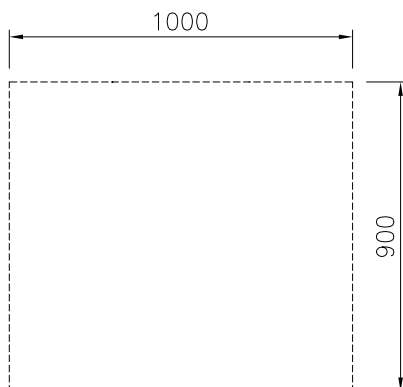
Front



Side



Top


Key Information:

External dimensions, Width:	
589190 (MC2ACCJ000)	1000 mm
External dimensions, Depth:	900 mm
External dimensions, Height:	450 mm
Cupboard Cavity Dimensions (width):	680 mm
Cupboard Cavity Dimensions (height):	330 mm
Cupboard Cavity Dimensions (depth):	860 mm
Net weight:	24 kg

Optional Accessories

- Stainless steel side panel, 900x700mm, freestanding PNC 912512
- Stainless steel front kicking strip, 1000mm width PNC 912636
- Stainless steel side kicking strip left and right, freestanding, 900mm width PNC 912657
- Stainless steel plinth, freestanding, 1000mm width PNC 912960
- - NOT TRANSLATED - PNC 913238
- - NOT TRANSLATED - PNC 913260
- - NOT TRANSLATED - PNC 913284
- STAINLESS STEEL DIVIDING PANEL 900X700MM LEFT/RIGHT PNC 913672
- STAINLESS STEEL SIDE COVER PANEL, FLUSH 900X700MM LEFT/RIGHT PNC 913688